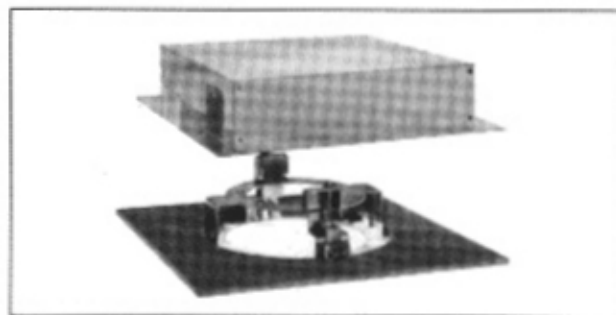


# Instructions

## Ceiling Mount Bracket WV-Q100A For WV-CF20

**Panasonic**®

Before attempting to connect or operate this product, please read these instructions completely.



### PREFACE

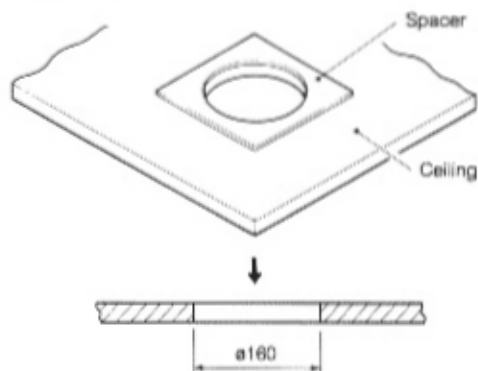
The Ceiling Mount Bracket WV-Q100A is used to mount Color CCTV Camera WV-CF20 with the surface mount.

### PRECAUTIONS

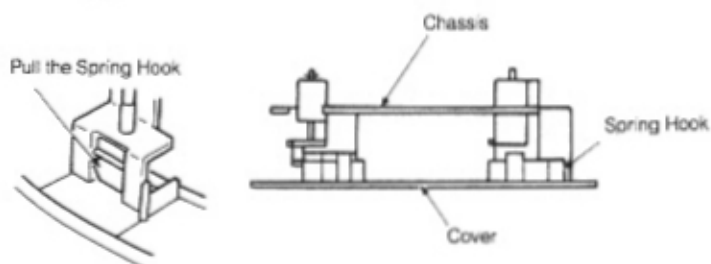
- Install this bracket on the ceiling which is strong enough to support the camera weight.
- Do not use this bracket in a ceiling having minimum clearance of 2-3/4" (70mm).
- The ceiling board thickness to mount this bracket is up to 1-3/16" (30mm).
- Wipe this bracket regularly by using a soft, dry cloth, or a cloth moistened with a solution of water and ordinary kitchen detergent.
- Do not use chemicals for cleaning the enclosure as they may damage the surface.
- All necessary procedures with regard to installation of this product should be made by qualified service personnel or system installers.

### INSTALLATION

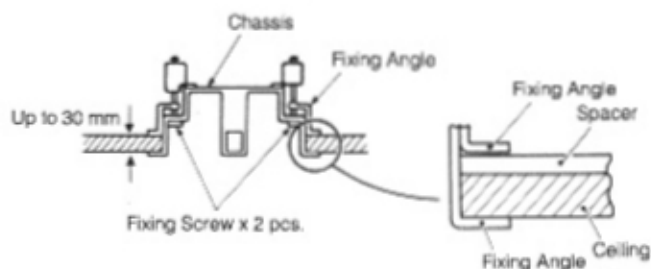
1. Make a hole 6-5/16" (160mm diameter) on the ceiling by using the spacer.



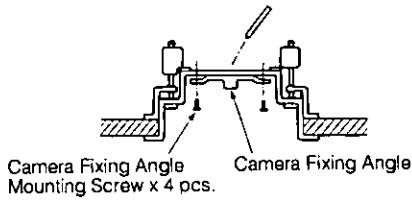
2. Pull four Spring Hooks to remove the Cover from the chassis.



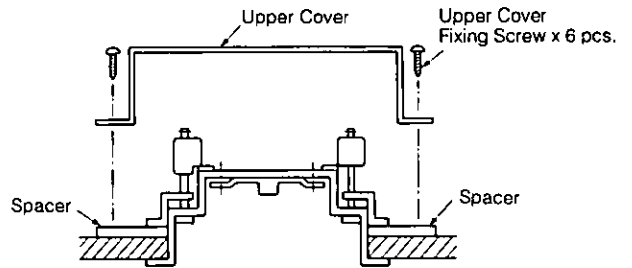
3. Fix the chassis onto the ceiling board and the Spacer by using two Fixing Angles.



4. Connect the coaxial cable to the Camera Fixing Angle. Fix the Camera Fixing Angle onto the ceiling board with four Camera Fixing Angle Mounting Screws (provided).



5. Put the Upper Cover onto this unit with six Upper Cover Fixing Screws(provided).



## SPECIFICATIONS

Ambient Operating Temperature :	+14°F - 122°F (-10°C - +50°C)
Dimensions :	10-1/4"(W) X 10-1/4"(H) X 2-11/16"(D) (260 (W) X 260 (H) X 68 (D) mm)
Weights :	0.24 lbs. (1.1 kg)

Weights and dimensions indicated are approximate.  
Specifications are subject to change without notice.

## ACCESSORIES

Camera Fixing Angle Mounting Screw .....	4 pcs.
Upper Cover Fixing Screw .....	6 pcs.

# Panasonic

Broadcast & Television Systems Company

Division of Matsushita Electric Corporation of America  
**CLOSED CIRCUIT VIDEO EQUIPMENT DIVISION**

Executive Office: One Panasonic Way, Secaucus, New Jersey 07094

**Regional Offices:**

Northeast: 43 Hartz Way, Secaucus, NJ 07094 (201) 348-7303  
 Southeast: 1854 Shackleford Court, Suite 115, Norcross, CA 30003 (404) 717-6835  
 Midwest: 1707 North Randall Road, Elgin, IL 60123 (708) 468-5200  
 Southwest: 4500 Amon Carter Blvd., Ft. Worth, TX 76155 (817) 685-1117  
 Western: 6550 Katella Ave., Cypress, CA 90630 (714) 373-7265

**MATSUSHITA ELECTRIC OF CANADA LIMITED**

5770 Ambler Drive, Mississauga, Ontario, L4W 2T3 Canada (416)624-5010

**PANASONIC SALES COMPANY**

**DIVISION OF MATSUSHITA ELECTRIC OF PUERTO RICO, INC.**

San Gabriel Industrial Park, 65th Infantry, Ave. KM. 9.5 Carolina, Puerto Rico 00630 (809)750-4300